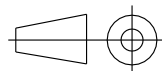
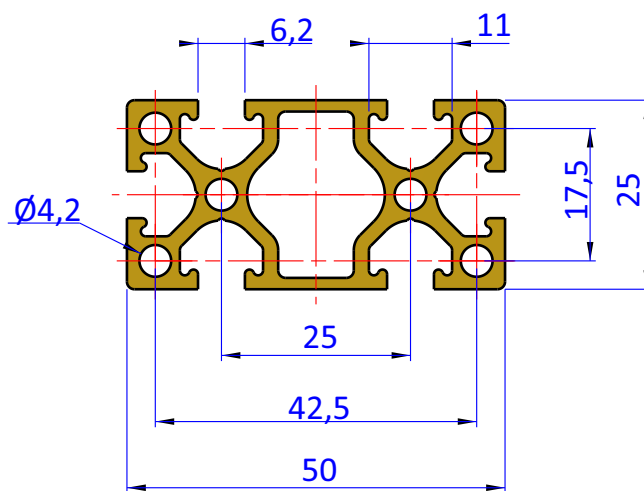
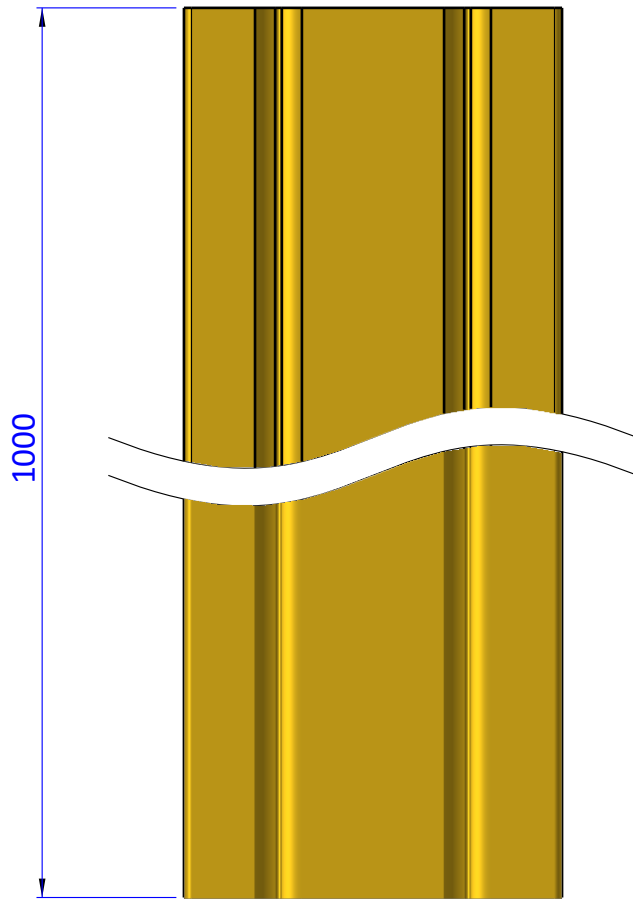


THE PROPERTY OF THE DRAWING IS ESTABLISHED BY LAW. IT IS FORBIDDEN TO PRODUCE OR SHOW IT TO THIRD PART. WITHOUT A WRITTEN AGREEMENT.

Item	Name	Q.ty
1	CA.X.5025.1000G	1



DESIGNED FROM		REVIEW
FPS Automation		A
DATE	WEIGHT	
16/03/2020	1,155kg	
CODE		
CA.X.5025.1000G		

Format A4

UNI 936-76

GENERAL TOLERANCE

UNI - ISO 2768

CLASSE f

DESCRIPTION

CA.X.5025.1000G